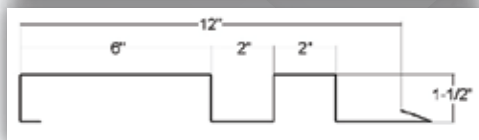
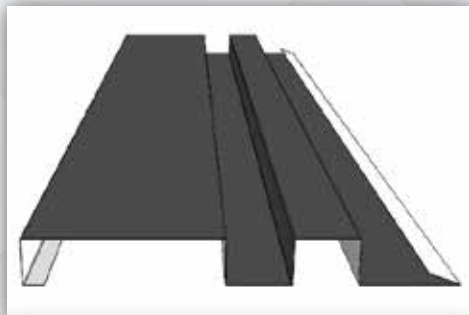


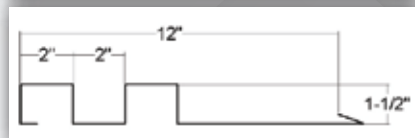
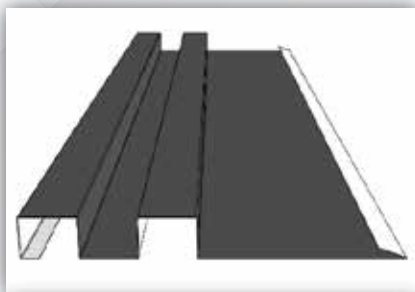
## Boulder BB1-3

**APPLICATION** Wall and Soffit  
**COVERAGE** 12"  
**SYSTEM DEPTH** 1-1/2"  
**LENGTHS** 3' – 21'  
**FASTENER STYLE** Concealed clip  
**STEEL** 24ga and 22ga  
**ALUMINUM** .032" and .040"  
**STAINLESS** 24ga  
**ZINC** 0.7mm and 1.0mm  
**COPPER** 16 and 20-ounce  
**WARRANTY** 20 year finish



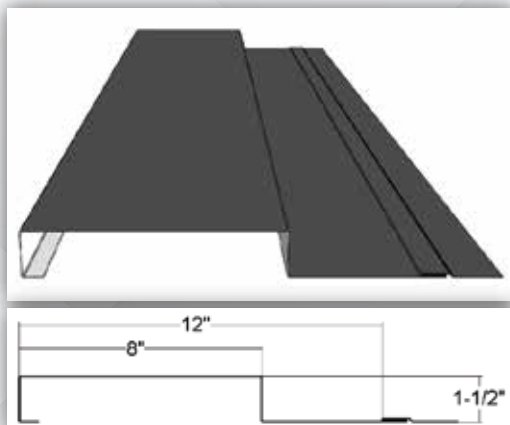
## Boulder BB2-2

**APPLICATION** Wall and Soffit  
**COVERAGE** 12"  
**SYSTEM DEPTH** 1-1/2"  
**LENGTHS** 3' – 21'  
**FASTENER STYLE** Concealed clip  
**STEEL** 24ga and 22ga  
**ALUMINUM** .032" and .040"  
**STAINLESS** 24ga  
**ZINC** 0.7mm and 1.0mm  
**COPPER** 16 and 20-ounce  
**WARRANTY** 20 year finish



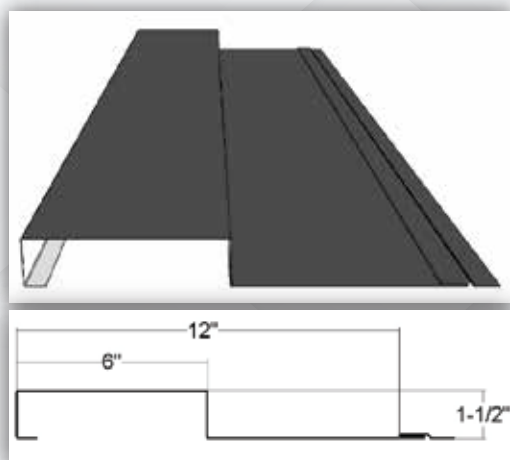
## Boulder BB3-2

**APPLICATION** Wall and Soffit  
**COVERAGE** 12"  
**SYSTEM DEPTH** 1-1/2"  
**LENGTHS** 3' – 21'  
**FASTENER STYLE** Concealed clip  
**STEEL** 24ga and 22ga  
**ALUMINUM** .032" and .040"  
**STAINLESS** 24ga  
**ZINC** 0.7mm and 1.0mm  
**COPPER** 16 and 20-ounce  
**WARRANTY** 20 year finish



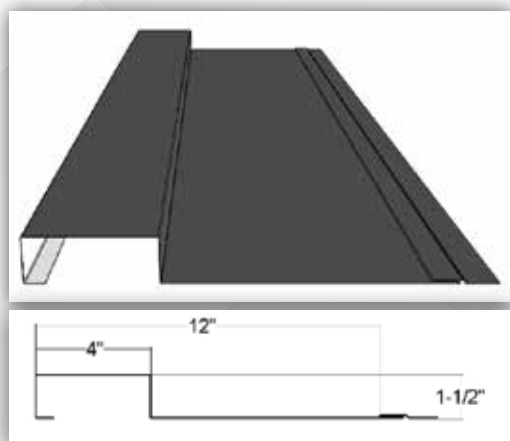
## Boulder BB4-1

**APPLICATION** Wall and Soffit  
**COVERAGE** 12"  
**SYSTEM DEPTH** 1-1/2"  
**LENGTHS** 3' – 21'  
**FASTENER STYLE** Concealed clip  
**STEEL** 24ga and 22ga  
**ALUMINUM** .032" and .040"  
**STAINLESS** 24ga  
**ZINC** 0.7mm and 1.0mm  
**COPPER** 16 and 20-ounce  
**WARRANTY** 20 year finish



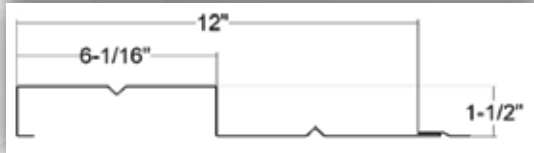
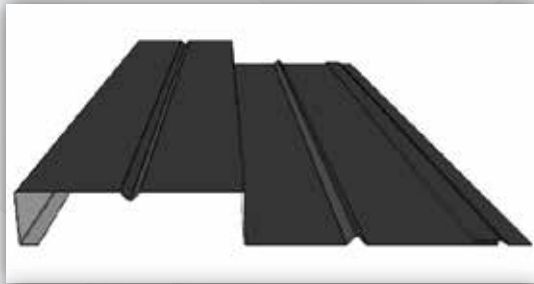
## Boulder BB5-1

**APPLICATION** Wall and Soffit  
**COVERAGE** 12"  
**SYSTEM DEPTH** 1-1/2"  
**LENGTHS** 3' – 21'  
**FASTENER STYLE** Concealed clip  
**STEEL** 24ga and 22ga  
**ALUMINUM** .032" and .040"  
**STAINLESS** 24ga  
**ZINC** 0.7mm and 1.0mm  
**COPPER** 16 and 20-ounce  
**WARRANTY** 20 year finish



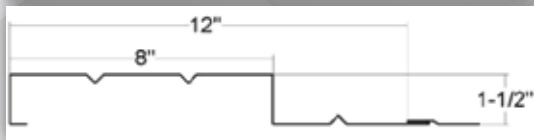
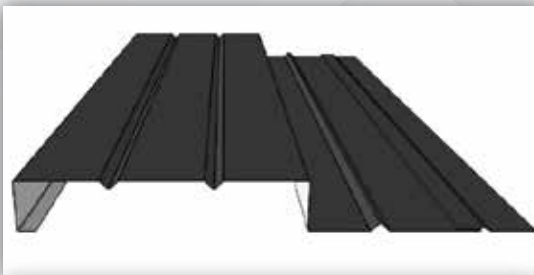
## Boulder BB6-1

**APPLICATION** Wall and Soffit  
**COVERAGE** 12"  
**SYSTEM DEPTH** 1-1/2"  
**LENGTHS** 3' – 21'  
**FASTENER STYLE** Concealed clip  
**STEEL** 24ga and 22ga  
**ALUMINUM** .032" and .040"  
**STAINLESS** 24ga  
**ZINC** 0.7mm and 1.0mm  
**COPPER** 16 and 20-ounce  
**WARRANTY** 20 year finish



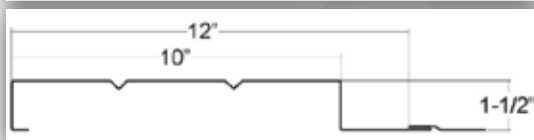
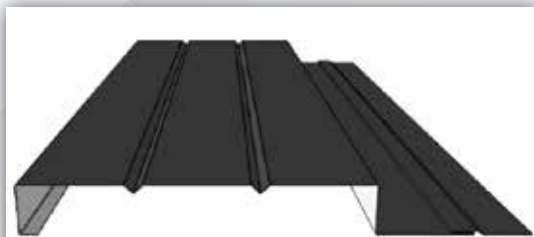
## Meadow MN12

**APPLICATION** Wall and Soffit  
**COVERAGE** 12"  
**SYSTEM DEPTH** 1" to 1-1/2"  
**LENGTHS** 3' – 21'  
**FASTENER STYLE** Concealed screw flange  
**STEEL** 24ga and 22ga  
**ALUMINUM** .032" and .040"  
**STAINLESS** 24ga  
**ZINC** 0.7mm and 1.0mm  
**COPPER** 16 and 20-ounce  
**WARRANTY** 20 year finish



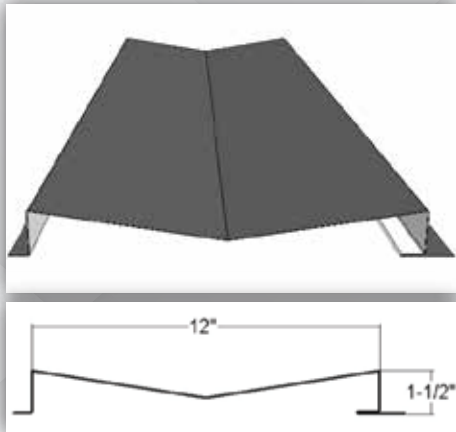
## Meadow MT12

**APPLICATION** Wall and Soffit  
**COVERAGE** 12"  
**SYSTEM DEPTH** 1" to 1-1/2"  
**LENGTHS** 3' – 21'  
**FASTENER STYLE** Concealed screw flange  
**STEEL** 24ga and 22ga  
**ALUMINUM** .032" and .040"  
**STAINLESS** 24ga  
**ZINC** 0.7mm and 1.0mm  
**COPPER** 16 and 20-ounce  
**WARRANTY** 20 year finish



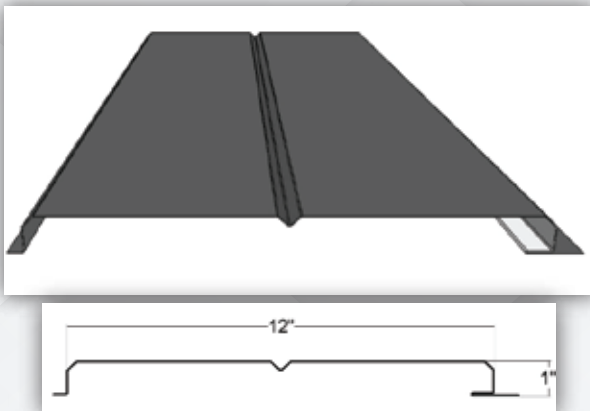
## Meadow MB12

**APPLICATION** Wall and Soffit  
**COVERAGE** 12"  
**SYSTEM DEPTH** 1" to 1-1/2"  
**LENGTHS** 3' – 21'  
**FASTENER STYLE** Concealed screw flange  
**STEEL** 24ga and 22ga  
**ALUMINUM** .032" and .040"  
**STAINLESS** 24ga  
**ZINC** 0.7mm and 1.0mm  
**COPPER** 16 and 20-ounce  
**WARRANTY** 20 year finish



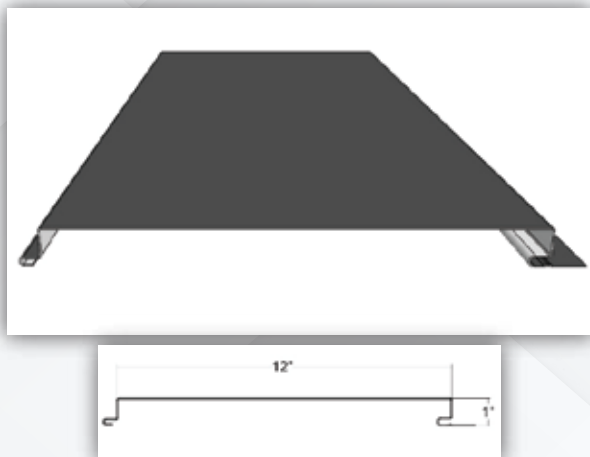
## Meadow MF12-W

**APPLICATION** Wall and Soffit  
**COVERAGE** 12"  
**SYSTEM DEPTH** 1" to 1-1/2"  
**LENGTHS** 3' – 21'  
**FASTENER STYLE** Concealed screw flange  
**STEEL** 24ga and 22ga  
**ALUMINUM** .032" and .040"  
**STAINLESS** 24ga  
**ZINC** 0.7mm and 1.0mm  
**COPPER** 16 and 20-ounce  
**WARRANTY** 20 year finish



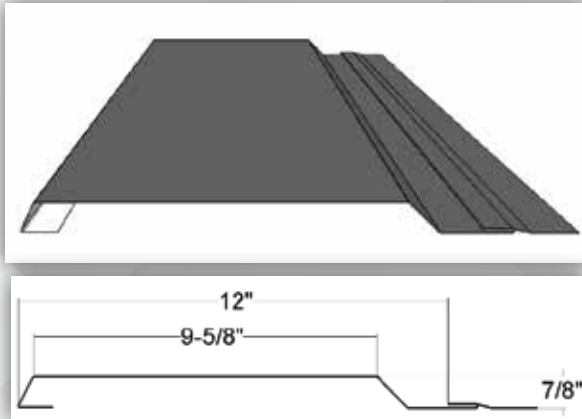
## Meadow MB12-2V

**APPLICATION** Wall and Soffit  
**COVERAGE** 12"  
**SYSTEM DEPTH** 1" to 1-1/2"  
**LENGTHS** 3' – 21'  
**FASTENER STYLE** Concealed screw flange  
**STEEL** 24ga and 22ga  
**ALUMINUM** .032" and .040"  
**STAINLESS** 24ga  
**ZINC** 0.7mm and 1.0mm  
**COPPER** 16 and 20-ounce  
**WARRANTY** 20 year finish



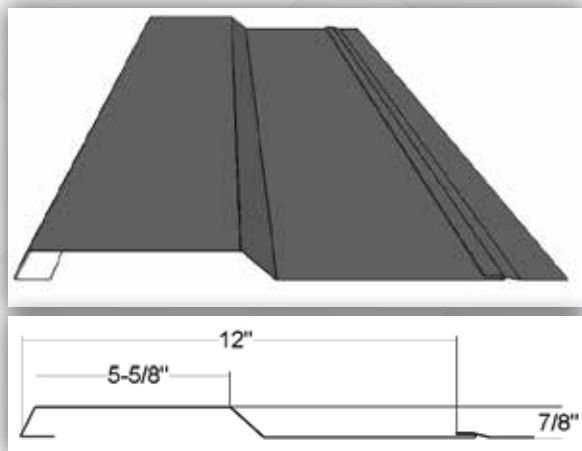
## Meadow MFP100

**APPLICATION** Wall and Soffit  
**COVERAGE** 12"  
**SYSTEM DEPTH** 1" to 1-1/2"  
**LENGTHS** 3' – 21'  
**FASTENER STYLE** Concealed screw flange  
**STEEL** 24ga and 22ga  
**ALUMINUM** .032" and .040"  
**STAINLESS** 24ga  
**ZINC** 0.7mm and 1.0mm  
**COPPER** 16 and 20-ounce  
**WARRANTY** 20 year finish



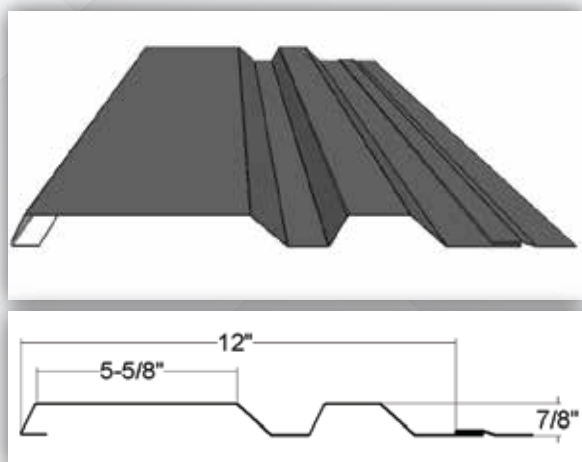
## Hillside HV12-1

**APPLICATION** Wall and soffit  
**COVERAGE** 12"  
**SYSTEM DEPTH** 7/8"  
**LENGTHS** 3' – 21'  
**FASTENER STYLE** Concealed screw flange  
**STEEL** 24ga and 22ga  
**ALUMINUM** .032" and .040"  
**STAINLESS** 24ga  
**ZINC** 0.7mm and 1.0mm  
**COPPER** 16 and 20-ounce  
**WARRANTY** 20 year finish



## Hillside HV12-1H

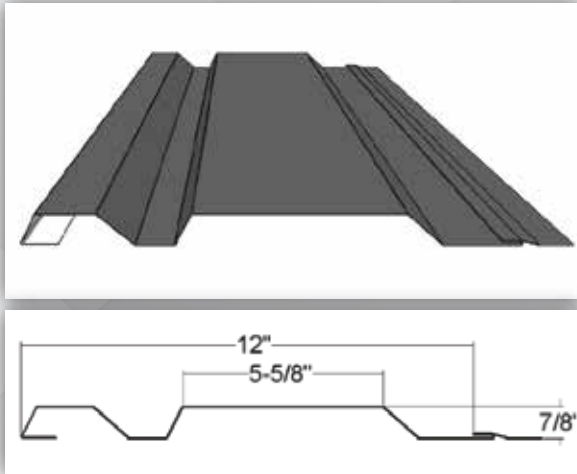
**APPLICATION** Wall and soffit  
**COVERAGE** 12"  
**SYSTEM DEPTH** 7/8"  
**LENGTHS** 3' – 21'  
**FASTENER STYLE** Concealed screw flange  
**STEEL** 24ga and 22ga  
**ALUMINUM** .032" and .040"  
**STAINLESS** 24ga  
**ZINC** 0.7mm and 1.0mm  
**COPPER** 16 and 20-ounce  
**WARRANTY** 20 year finish



## Hillside HV12-2

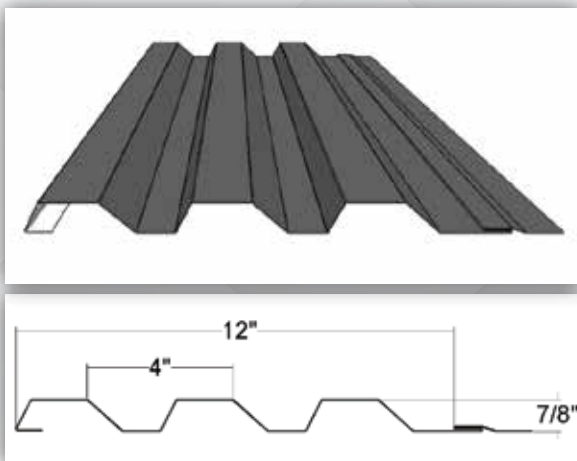
**APPLICATION** Wall and soffit  
**COVERAGE** 12"  
**SYSTEM DEPTH** 7/8"  
**LENGTHS** 3' – 21'  
**FASTENER STYLE** Concealed screw flange  
**STEEL** 24ga and 22ga  
**ALUMINUM** .032" and .040"  
**STAINLESS** 24ga  
**ZINC** 0.7mm and 1.0mm  
**COPPER** 16 and 20-ounce  
**WARRANTY** 20 year finish





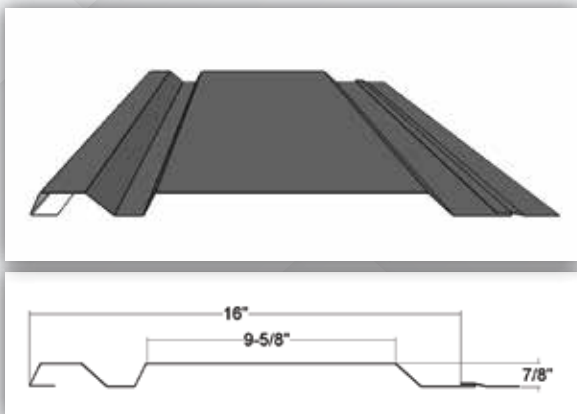
## Hillside HV12-2B

**APPLICATION** Wall and soffit  
**COVERAGE** 12"  
**SYSTEM DEPTH** 7/8"  
**LENGTHS** 3' – 21'  
**FASTENER STYLE** Concealed screw flange  
**STEEL** 24ga and 22ga  
**ALUMINUM** .032" and .040"  
**STAINLESS** 24ga  
**ZINC** 0.7mm and 1.0mm  
**COPPER** 16 and 20-ounce  
**WARRANTY** 20 year finish



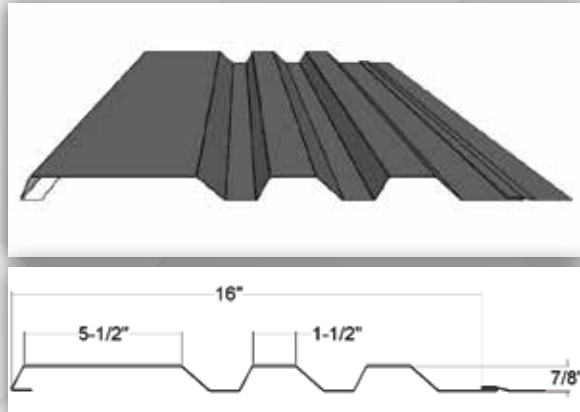
## Hillside HV12-3

**APPLICATION** Wall and soffit  
**COVERAGE** 12"  
**SYSTEM DEPTH** 7/8"  
**LENGTHS** 3' – 21'  
**FASTENER STYLE** Concealed screw flange  
**STEEL** 24ga and 22ga  
**ALUMINUM** .032" and .040"  
**STAINLESS** 24ga  
**ZINC** 0.7mm and 1.0mm  
**COPPER** 16 and 20-ounce  
**WARRANTY** 20 year finish



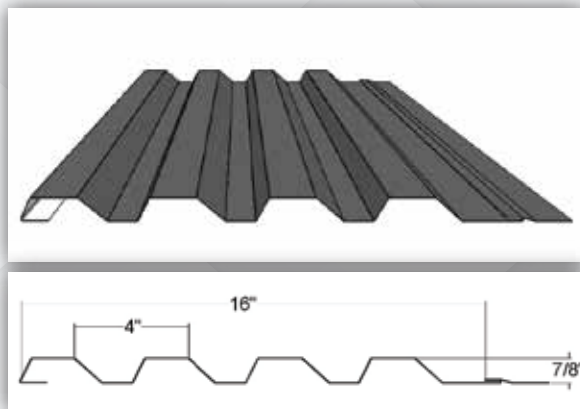
## Hillside HV16-2

**APPLICATION** Wall and soffit  
**COVERAGE** 16"  
**SYSTEM DEPTH** 7/8"  
**LENGTHS** 3' – 21'  
**FASTENER STYLE** Concealed screw flange  
**STEEL** 24ga and 22ga  
**ALUMINUM** .032" and .040"  
**STAINLESS** 24ga  
**ZINC** 0.7mm and 1.0mm  
**COPPER** 16 and 20-ounce  
**WARRANTY** 20 year finish  
**WARRANTY** 20 year finish



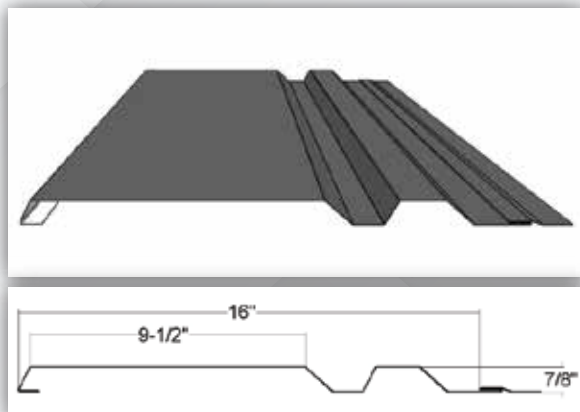
### Hillside HV16-3

**APPLICATION** Wall and soffit  
**COVERAGE** 16"  
**SYSTEM DEPTH** 7/8"  
**LENGTHS** 3' – 21'  
**FASTENER STYLE** Concealed screw flange  
**STEEL** 24ga and 22ga  
**ALUMINUM** .032" and .040"  
**STAINLESS** 24ga  
**ZINC** 0.7mm and 1.0mm  
**COPPER** 16 and 20-ounce  
**WARRANTY** 20 year finish



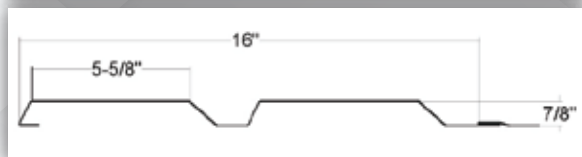
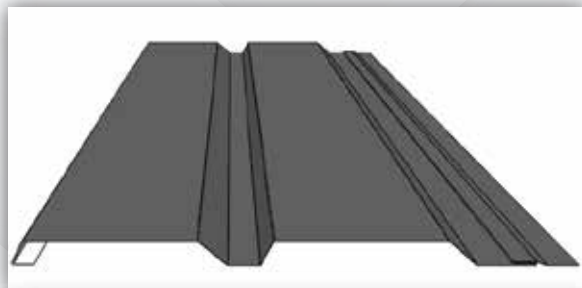
### Hillside HV16-4

**APPLICATION** Wall and soffit  
**COVERAGE** 16"  
**SYSTEM DEPTH** 7/8"  
**LENGTHS** 3' – 21'  
**FASTENER STYLE** Concealed screw flange  
**STEEL** 24ga and 22ga  
**ALUMINUM** .032" and .040"  
**STAINLESS** 24ga  
**ZINC** 0.7mm and 1.0mm  
**COPPER** 16 and 20-ounce  
**WARRANTY** 20 year finish



### Hillside HV16-2B

**APPLICATION** Wall and soffit  
**COVERAGE** 16"  
**SYSTEM DEPTH** 7/8"  
**LENGTHS** 3' – 21'  
**FASTENER STYLE** Concealed screw flange  
**STEEL** 24ga and 22ga  
**ALUMINUM** .032" and .040"  
**STAINLESS** 24ga  
**ZINC** 0.7mm and 1.0mm  
**COPPER** 16 and 20-ounce  
**WARRANTY** 20 year finish



## Hillside HV16-2D

**APPLICATION** Wall and soffit

**COVERAGE** 16"

**SYSTEM DEPTH** 7/8"

**LENGTHS** 3' – 21'

**FASTENER STYLE** Concealed screw flange

**STEEL** 24ga and 22ga

**ALUMINUM** .032" and .040"

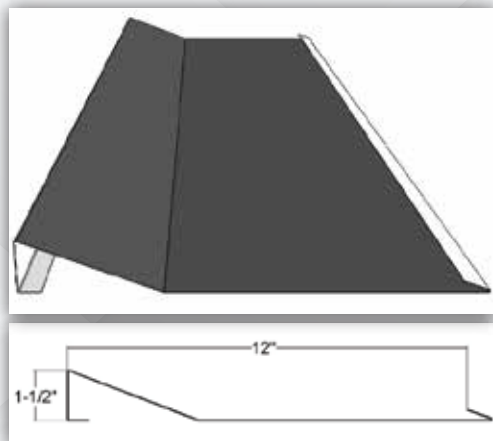
**STAINLESS** 24ga

**ZINC** 0.7mm and 1.0mm

**COPPER** 16 and 20-ounce

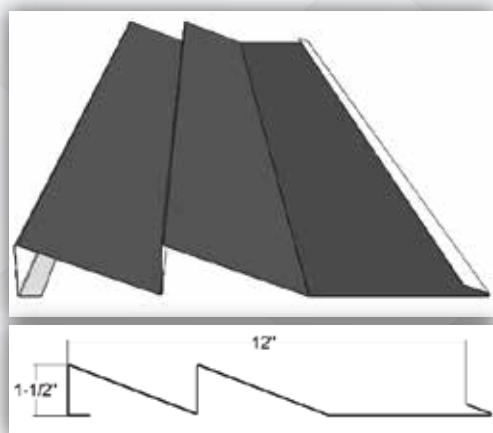
**WARRANTY** 20 year finish





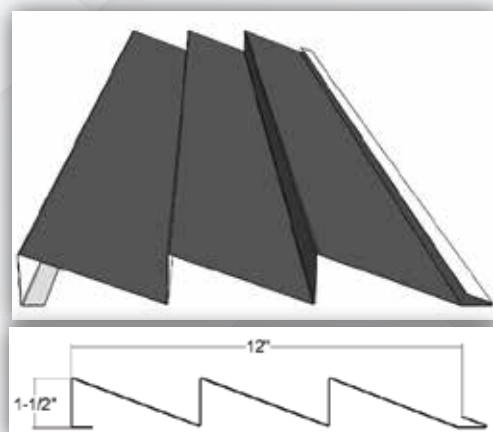
### Peak PZ12-1

**APPLICATION** Wall and soffit  
**COVERAGE** 12"  
**SYSTEM DEPTH** 1-1/2"  
**LENGTHS** 3' – 21'  
**FASTENER STYLE** Concealed screw flange  
**STEEL** 24ga and 22ga  
**ALUMINUM** .032" and .040"  
**STAINLESS** 24ga  
**ZINC** 0.7mm and 1.0mm  
**COPPER** 16 and 20-ounce  
**WARRANTY** 20 year finish



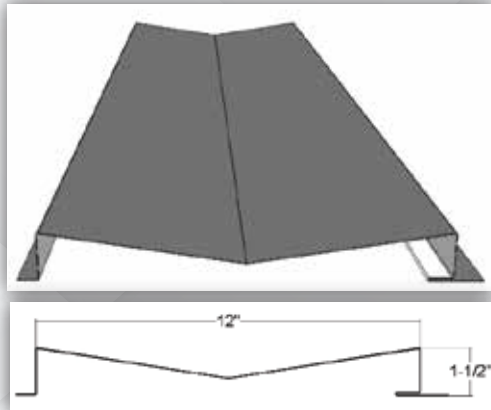
### Peak PZ12-2

**APPLICATION** Wall and soffit  
**COVERAGE** 12"  
**SYSTEM DEPTH** 1-1/2"  
**LENGTHS** 3' – 21'  
**FASTENER STYLE** Concealed screw flange  
**STEEL** 24ga and 22ga  
**ALUMINUM** .032" and .040"  
**STAINLESS** 24ga  
**ZINC** 0.7mm and 1.0mm  
**COPPER** 16 and 20-ounce  
**WARRANTY** 20 year finish



### Peak PZ12-3

**APPLICATION** Wall and soffit  
**COVERAGE** 12"  
**SYSTEM DEPTH** 1-1/2"  
**LENGTHS** 3' – 21'  
**FASTENER STYLE** Concealed screw flange  
**STEEL** 24ga and 22ga  
**ALUMINUM** .032" and .040"  
**STAINLESS** 24ga  
**ZINC** 0.7mm and 1.0mm  
**COPPER** 16 and 20-ounce  
**WARRANTY** 20 year finish



## Peak PM12

**APPLICATION** Wall and soffit

**COVERAGE** 12"

**SYSTEM DEPTH** 1-1/2"

**LENGTHS** 3' – 21'

**FASTENER STYLE** Concealed screw flange

**STEEL** 24ga and 22ga

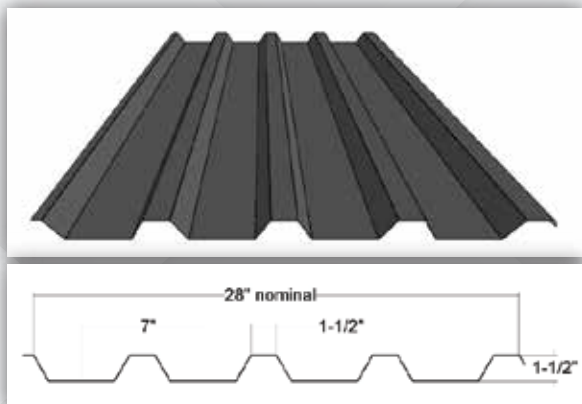
**ALUMINUM** .032" and .040"

**STAINLESS** 24ga

**ZINC** 0.7mm and 1.0mm

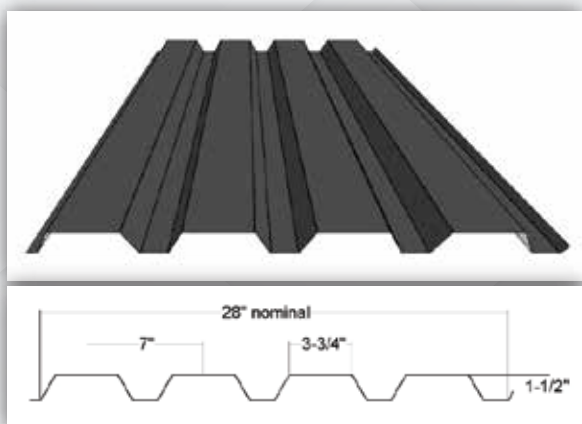
**COPPER** 16 and 20-ounce

**WARRANTY** 20 year finish



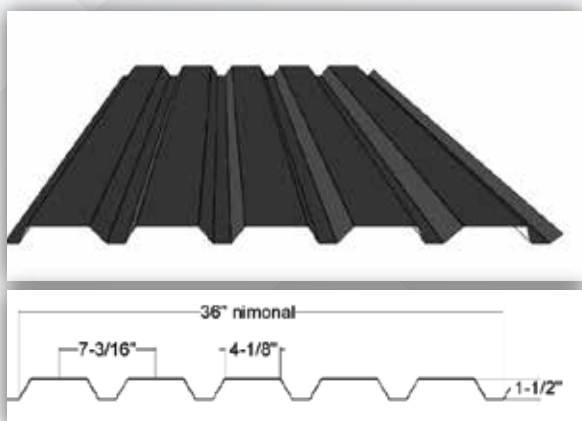
### Everest EV3-28A

APPLICATION Wall and Roof  
 COVERAGE 28"  
 SYSTEM DEPTH 1-1/2"  
 LENGTHS 3' – 21'  
 FASTENER STYLE Exposed  
 STEEL 24ga and 22ga  
 ALUMINUM .032" and .040"  
 STAINLESS 24ga  
 ZINC 0.7mm and 1.0mm  
 COPPER 16 and 20-ounce  
 WARRANTY 20 year finish



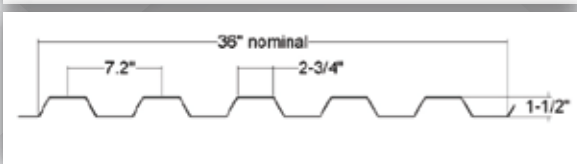
### Everest EV3-28B

APPLICATION Wall and Roof  
 COVERAGE 28"  
 SYSTEM DEPTH 1-1/2"  
 LENGTHS 3' – 21'  
 FASTENER STYLE Exposed  
 STEEL 24ga and 22ga  
 ALUMINUM .032" and .040"  
 STAINLESS 24ga  
 ZINC 0.7mm and 1.0mm  
 COPPER 16 and 20-ounce  
 WARRANTY 20 year finish



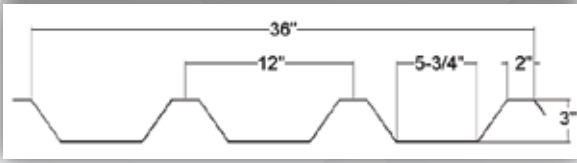
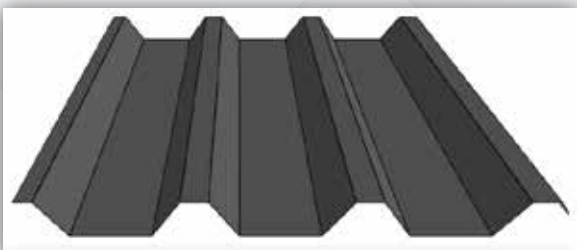
### Everest EV4-36A

APPLICATION Wall and Roof  
 COVERAGE 36"  
 SYSTEM DEPTH 1-1/2"  
 LENGTHS 3' – 21'  
 FASTENER STYLE Exposed  
 STEEL 24ga and 22ga  
 ALUMINUM .032" and .040"  
 STAINLESS 24ga  
 ZINC 0.7mm and 1.0mm  
 COPPER 16 and 20-ounce  
 WARRANTY 20 year finish



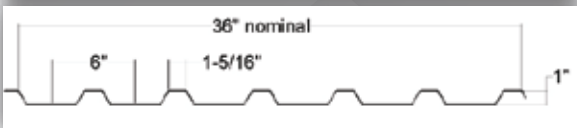
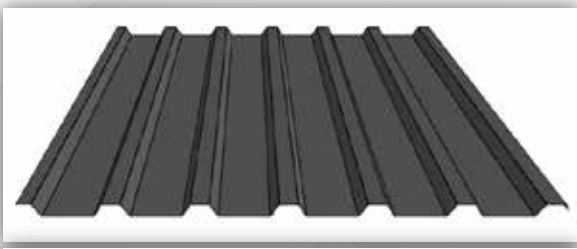
### Everest EV1-20A

APPLICATION Wall and Roof  
 COVERAGE 36"  
 SYSTEM DEPTH 1-1/2"  
 LENGTHS 3' – 21'  
 FASTENER STYLE Exposed  
 STEEL 24ga and 22ga  
 ALUMINUM .032" and .040"  
 STAINLESS 24ga  
 ZINC 0.7mm and 1.0mm  
 COPPER 16 and 20-ounce  
 WARRANTY 20 year finish



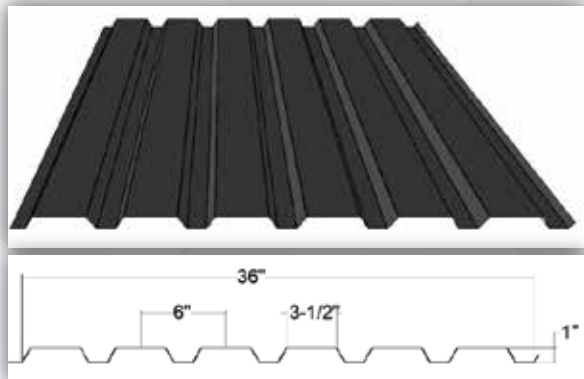
### Everest EV5-36A

APPLICATION Wall and Roof  
 COVERAGE 36"  
 SYSTEM DEPTH 3"  
 LENGTHS 3' – 21'  
 FASTENER STYLE Exposed  
 STEEL 24ga and 22ga  
 ALUMINUM .032" and .040"  
 STAINLESS 24ga  
 ZINC 0.7mm and 1.0mm  
 COPPER 16 and 20-ounce  
 WARRANTY 20 year finish



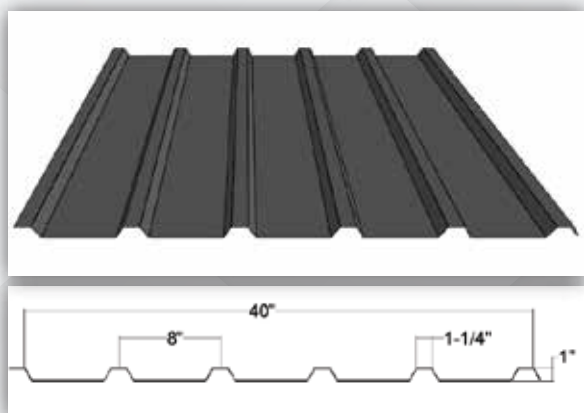
### Everest EV6-36A

APPLICATION Wall and Roof  
 COVERAGE 36"  
 SYSTEM DEPTH 1"  
 LENGTHS 3' – 21'  
 FASTENER STYLE Exposed  
 STEEL 24ga and 22ga  
 ALUMINUM .032" and .040"  
 STAINLESS 24ga  
 ZINC 0.7mm and 1.0mm  
 COPPER 16 and 20-ounce  
 WARRANTY 20 year finish



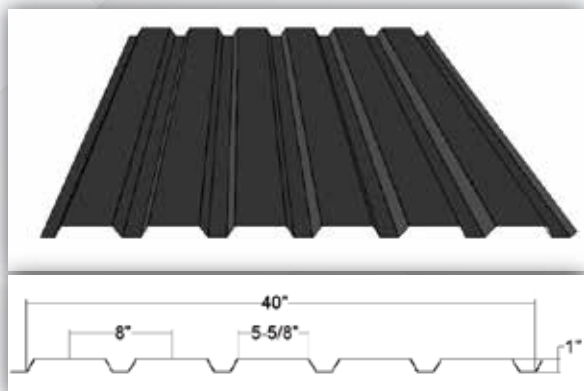
## Everest EV6-36B

**APPLICATION** Wall and Roof  
**COVERAGE** 36"  
**SYSTEM DEPTH** 1"  
**LENGTHS** 3' – 21'  
**FASTENER STYLE** Exposed  
**STEEL** 24ga and 22ga  
**ALUMINUM** .032" and .040"  
**STAINLESS** 24ga  
**ZINC** 0.7mm and 1.0mm  
**COPPER** 16 and 20-ounce  
**WARRANTY** 20 year finish



## Everest EV10-40A

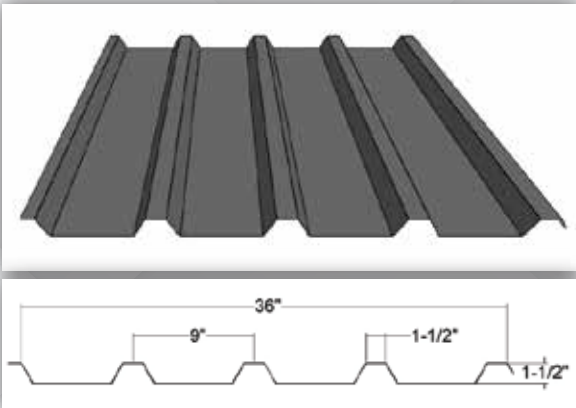
**APPLICATION** Wall and Roof  
**COVERAGE** 40"  
**SYSTEM DEPTH** 1"  
**LENGTHS** 3' – 21'  
**FASTENER STYLE** Exposed  
**STEEL** 24ga and 22ga  
**ALUMINUM** .032" and .040"  
**STAINLESS** 24ga  
**ZINC** 0.7mm and 1.0mm  
**COPPER** 16 and 20-ounce  
**WARRANTY** 20 year finish



## Everest EV10-40B

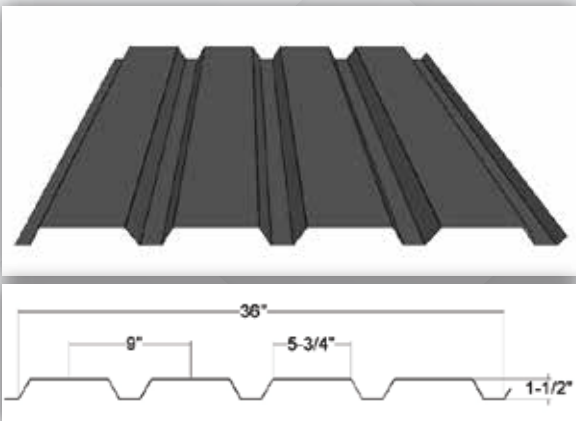
**APPLICATION** Wall and Roof  
**COVERAGE** 40"  
**SYSTEM DEPTH** 1"  
**LENGTHS** 3' – 21'  
**FASTENER STYLE** Exposed  
**STEEL** 24ga and 22ga  
**ALUMINUM** .032" and .040"  
**STAINLESS** 24ga  
**ZINC** 0.7mm and 1.0mm  
**COPPER** 16 and 20-ounce  
**WARRANTY** 20 year finish





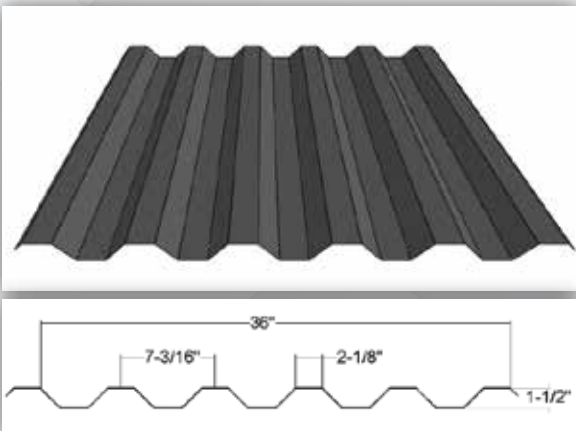
**Everest EV7-36A**

APPLICATION Wall and Roof  
 COVERAGE 36"  
 SYSTEM DEPTH 1-1/2"  
 LENGTHS 3' – 21'  
 FASTENER STYLE Exposed  
 STEEL 24ga and 22ga  
 ALUMINUM .032" and .040"  
 STAINLESS 24ga  
 ZINC 0.7mm and 1.0mm  
 COPPER 16 and 20-ounce  
 WARRANTY 20 year finish



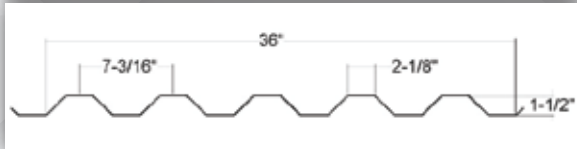
**Everest EV7-36B**

APPLICATION Wall and Roof  
 COVERAGE 36"  
 SYSTEM DEPTH 1-1/2"  
 LENGTHS 3' – 21'  
 FASTENER STYLE Exposed  
 STEEL 24ga and 22ga  
 ALUMINUM .032" and .040"  
 STAINLESS 24ga  
 ZINC 0.7mm and 1.0mm  
 COPPER 16 and 20-ounce  
 WARRANTY 20 year finish



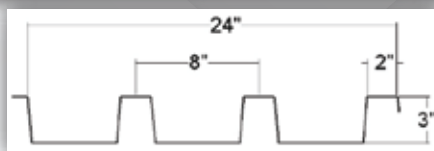
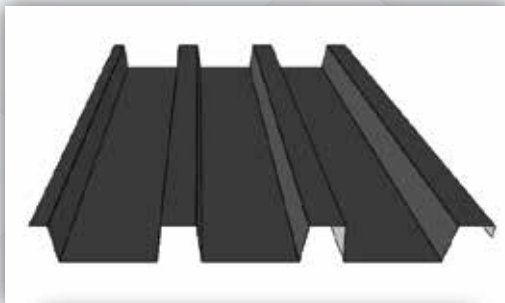
**Everest EV8-36A**

APPLICATION Wall and Roof  
 COVERAGE 36"  
 SYSTEM DEPTH 1-1/2"  
 LENGTHS 3' – 21'  
 FASTENER STYLE Exposed  
 STEEL 24ga and 22ga  
 ALUMINUM .032" and .040"  
 STAINLESS 24ga  
 ZINC 0.7mm and 1.0mm  
 COPPER 16 and 20-ounce  
 WARRANTY 20 year finish



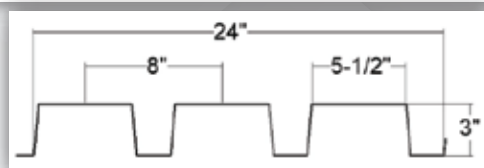
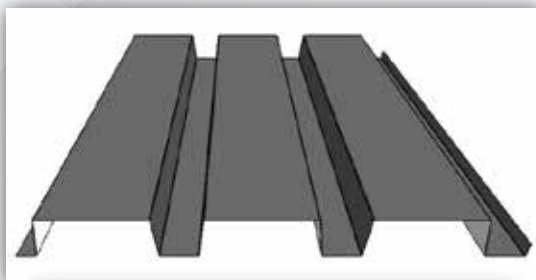
### Everest EV8-36B

**APPLICATION** Wall and Roof  
**COVERAGE** 36"  
**SYSTEM DEPTH** 1-1/2"  
**LENGTHS** 3' – 21'  
**FASTENER STYLE** Exposed  
**STEEL** 24ga and 22ga  
**ALUMINUM** .032" and .040"  
**STAINLESS** 24ga  
**ZINC** 0.7mm and 1.0mm  
**COPPER** 16 and 20-ounce  
**WARRANTY** 20 year finish



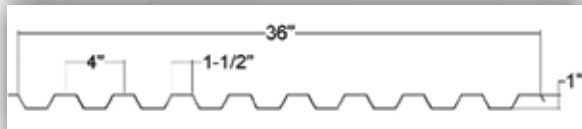
### Everest EU2-24A

**APPLICATION** Wall and Roof  
**COVERAGE** 24"  
**SYSTEM DEPTH** 3"  
**LENGTHS** 3' – 21'  
**FASTENER STYLE** Exposed  
**STEEL** 24ga and 22ga  
**ALUMINUM** .032" and .040"  
**STAINLESS** 24ga  
**ZINC** 0.7mm and 1.0mm  
**COPPER** 16 and 20-ounce  
**WARRANTY** 20 year finish



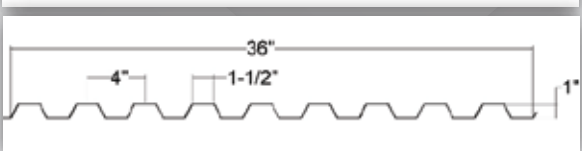
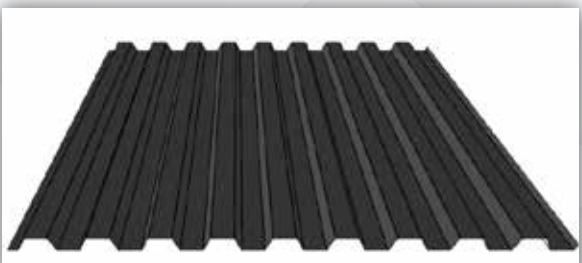
### Everest EU2-24B

**APPLICATION** Wall and Roof  
**COVERAGE** 24"  
**SYSTEM DEPTH** 3"  
**LENGTHS** 3' – 21'  
**FASTENER STYLE** Exposed  
**STEEL** 24ga and 22ga  
**ALUMINUM** .032" and .040"  
**STAINLESS** 24ga  
**ZINC** 0.7mm and 1.0mm  
**COPPER** 16 and 20-ounce  
**WARRANTY** 20 year finish



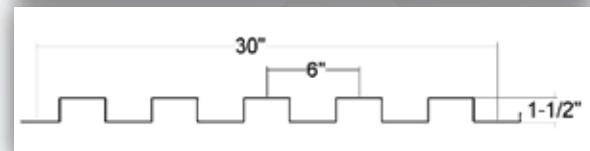
**Everest EV9-36A**

APPLICATION Wall and Roof  
 COVERAGE 36"  
 SYSTEM DEPTH 1"  
 LENGTHS 3' – 21'  
 FASTENER STYLE Exposed  
 STEEL 24ga and 22ga  
 ALUMINUM .032" and .040"  
 STAINLESS 24ga  
 ZINC 0.7mm and 1.0mm  
 COPPER 16 and 20-ounce  
 WARRANTY 20 year finish



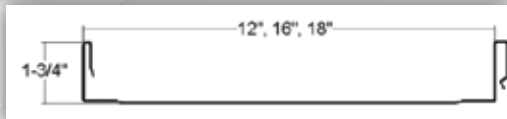
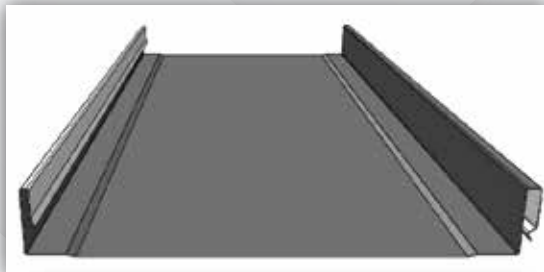
**Everest EV9-36B**

APPLICATION Wall and Roof  
 COVERAGE 36"  
 SYSTEM DEPTH 1"  
 LENGTHS 3' – 21'  
 FASTENER STYLE Exposed  
 STEEL 24ga and 22ga  
 ALUMINUM .032" and .040"  
 STAINLESS 24ga  
 ZINC 0.7mm and 1.0mm  
 COPPER 16 and 20-ounce  
 WARRANTY 20 year finish



**Everest EU2-30T**

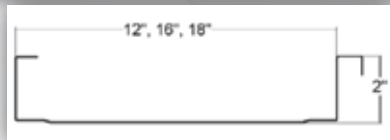
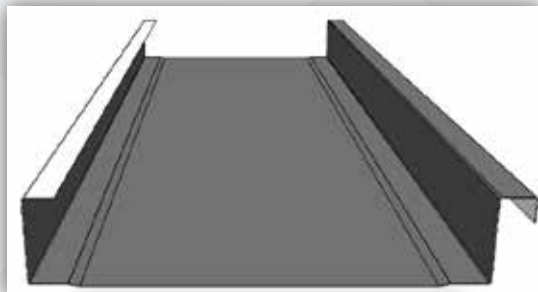
APPLICATION Wall and Roof  
 COVERAGE 30"  
 SYSTEM DEPTH 1-1/2"  
 LENGTHS 3' – 21'  
 FASTENER STYLE Exposed  
 STEEL 24ga and 22ga  
 ALUMINUM .032" and .040"  
 STAINLESS 24ga  
 ZINC 0.7mm and 1.0mm  
 COPPER 16 and 20-ounce  
 WARRANTY 20 year finish



## Roof RSL175

**APPLICATION** Roof and wall  
**COVERAGE** 12", 16" and 18"  
**SYSTEM DEPTH** 1-3/4"  
**LENGTHS** 3' – 50'  
**FASTENER STYLE** Concealed clip  
**STEEL** 24ga and 22ga  
**ALUMINUM** .040" and .050"  
**STAINLESS** 24ga  
**ZINC** 0.7mm and 1.0mm  
**COPPER** 16 and 20-ounce  
**WARRANTY** 20 year finish

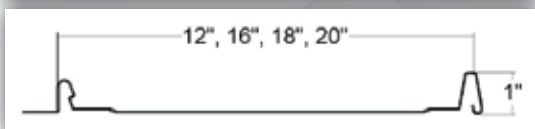
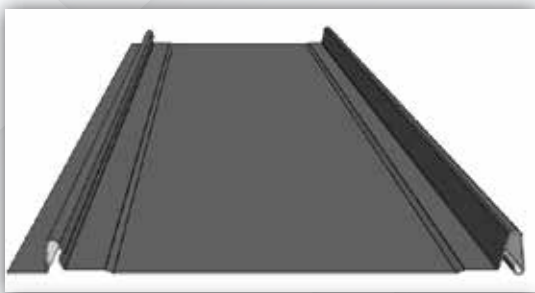
*\*Large and Small pencil ribs, 1" bands available*



## Roof RMS200

**APPLICATION** Roof and wall  
**COVERAGE** 12", 16" and 18"  
**SYSTEM DEPTH** 2"  
**LENGTHS** 3' – 50'  
**FASTENER STYLE** Concealed clip  
**STEEL** 24ga and 22ga  
**ALUMINUM** .040" and .050"  
**STAINLESS** 24ga  
**ZINC** 0.7mm and 1.0mm  
**COPPER** 16 and 20-ounce  
**WARRANTY** 20 year finish

*\*Large and Small pencil ribs, 1" bands available*



## Roof RNF100

**APPLICATION** Roof and wall  
**COVERAGE** 12", 16", 18", and 20"  
**SYSTEM DEPTH** 1"  
**LENGTHS** 3' – 50'  
**FASTENER STYLE** Concealed clip  
**STEEL** 24ga and 22ga  
**ALUMINUM** .040" and .050"  
**STAINLESS** 24ga  
**ZINC** 0.7mm and 1.0mm  
**COPPER** 16 and 20-ounce  
**WARRANTY** 20 year finish

*\*Large and Small pencil ribs, 1" bands available*